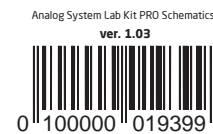
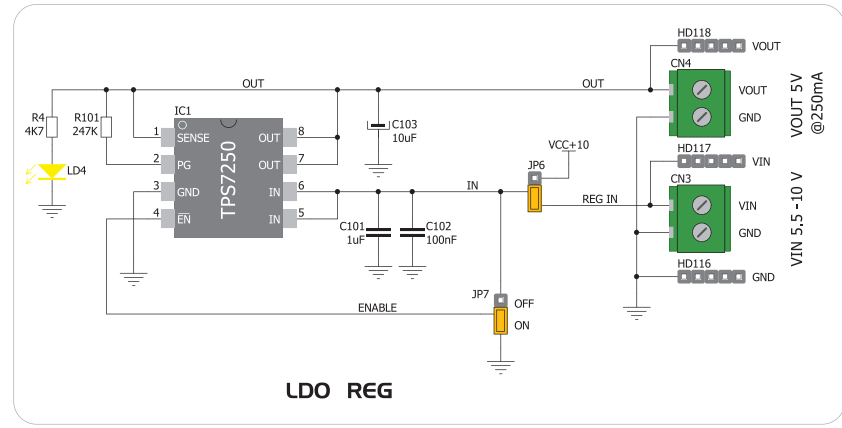
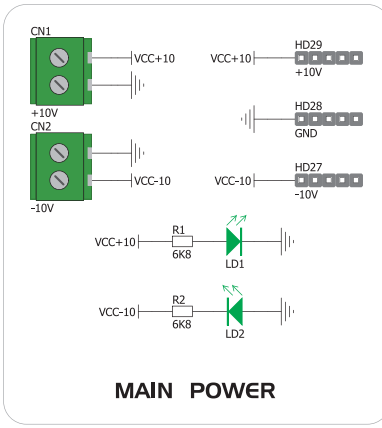


Analog
System
Lab Kit PRO
SCHEMATICS

Designed by
MikroElektronika Ltd.
www.mikroe.com
April 2012.





Analog System Lab Kit PRO Schematics

