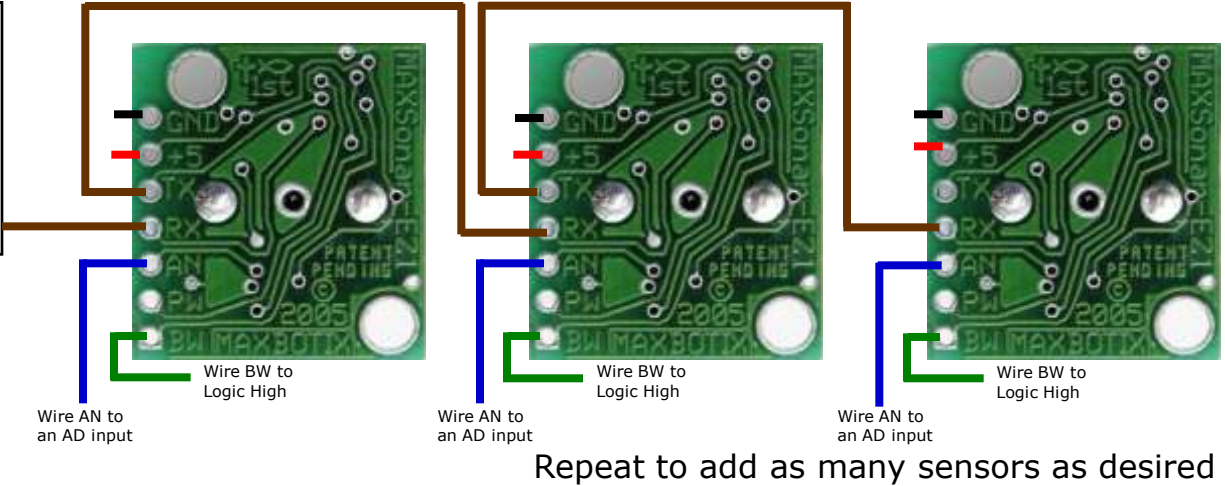


# Chaining MaxSonar Sensors, (AN Output)

## Daisy Chaining using a Commanded Loop

Then just strobe the first sensor's RX pin and all of the sensors will read the range in sequence.



### Daisy Chaining using a Commanded Loop

To chain the sensors, and have them to operate in sequential daisy-chained fashion, you do so by linking the TX of unit 1 to RX of unit 2 and so on. The BW pin is tied high on all of the parts. Then just strobe the first sensor's RX pin and all of the sensors will read the range in sequence. The analog values can then be read. The example above would use one pin to command the chain, and three analog to digital inputs.